



KEY FEATURES

(480) 1.5W RGB LED's in 20 Zones

(200) 5W CW Strobe LED's in 10 Zones

(80) 1.5W RGB StrobeLine LED's in 10 Zones

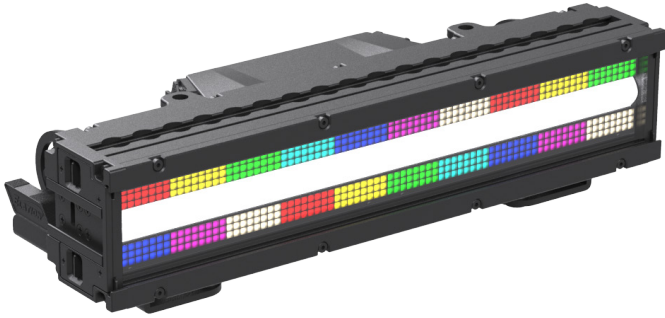
Completely Fanless Cooling

Integrated L Track for Flexible Mounting

Unique End-to-End Interconnection System

Art-Net, sACN and KlingNet Support

IP65 Rated



Ignite excitement and get the crowd pumping with the new **Pulse Bar S**! The first in an innovative Pulse line of strobe lights, the Pulse Bar is a highly impactful strobe and visual effect bar that injects dynamism and spark into any performance!

Measuring half a meter in length, the **Pulse Bar S** incorporates 480 1.5W RGB LEDs distributed across 20 zones along its perimeter. Additionally, it features a central strobe line equipped with 200 5W cool-white LEDs across 20 zones, complemented by 80 1.5W RGB LEDs arranged in 10 zones at its core. Infuse your performance with intense, attention-grabbing moments of white or colored light that enhance the energy of the moment. Add impact with rhythmic flashes that synchronize with the music or craft special effects that make for a more visually stimulating experience. Ideal for direct view applications, zone control opens up for a myriad of design possibilities.

With fully variable color temperature adjustment (2400K - 8500K) and a virtual gel library, designers have immediate access to a diverse LED color array. The **Pulse Bar S** also includes a library of customizable RGB and CW strobe effects along with variable dimming modes and curves for quick programming. Wrapped in a durable, fully IP65-rated housing, the Pulse Bar S is suitable for any environment, indoors or outdoors, and its marine grade coating adds additional protection for harsher environments- even coastal locations.

The fanless convection cooling of the **Pulse Bar S** guarantees silent operation, making it ideal for noise-sensitive environments. Designed for ultimate flexibility, an integrated accessory slot accommodates optional diffusion filters, ND filters and other optics.

The Pulse Bar S's innovative housing allows for end-to-end interconnection and includes integrated L track for flexible mounting and positioning. Trunnions designed for attachment to the L track can be fixed at multiple points to optimize positioning around objects or obstacles.

Controlled via DMX/RDM, Art-Net, sACN, and KlingNet protocols, the **Pulse Bar S** also features proprietary Aria x2 wireless device management for simplified system setup and maintenance.

When the moment calls for high-impact bursts of light and visually striking effects, look no further. The Pulse Bar S delivers!



SOURCE

(560) 1.5W RGB LEDs
(200) 5W CW Strobe LEDs
50,000 Hour Average LED Life*

*Test lab conditions. May vary depending on several factors including but not limited to: Environmental Conditions, Power/Voltage, Usage Patterns (On-Off Cycling), Control, and Dimming.

PHOTOMETRIC DATA

Total Lumen Output: TBD
CRI: TBD
Beam Angle: TBD
Field Angle: TBD

EFFECTS

20 Zones of RGB Plate LEDs (10 x 2)
20 Zones of CW Strobe LEDs (10 x 2)
10 Zones of RGB StrobeLine LED's (10 x 1)
1- 20Hz Strobe Rate
Library of Customizable RGB and CW Strobe Effects
Variable Dimming Modes and Curves

COLOR

RGB Color Array
Variable CCT 2400K - 8500K
Virtual Gel Swatch Book

CONTROL / CONNECTIONS

9 DMX Channel Modes (3ch, 12ch, 24ch, 36ch, 52ch, 124ch, 79ch, 134ch, 110ch)
4 Button Control Panel, LED Display
Aria x2 Wireless Device Management
RDM (Remote Device Management)
IP65 5pin XLR DMX In/Out
IP65 RJ45 Ethernet In/Out (Art-Net, sACN, KlingNet)
IP65 Locking Power Cable In/Out

SIZE / WEIGHT

Length: 19.69" (500mm)
Width: 4.13" (105mm)
Vertical Height: 8.11" (206mm)
Weight: TBD

ELECTRICAL / THERMAL

AC 100-240V - 50/60Hz
Max Power Consumption TBD
Power Thru Capacity: @110V: TBD; @240V: TBD
5°F to 113°F (-15°C to 45°C)
BTU/hr (+/- 10%) TBD

INCLUDED ITEMS

Safety Cable
IP65 Locking Power Cable
Fixture Interconnect Key

APPROVALS / RATINGS

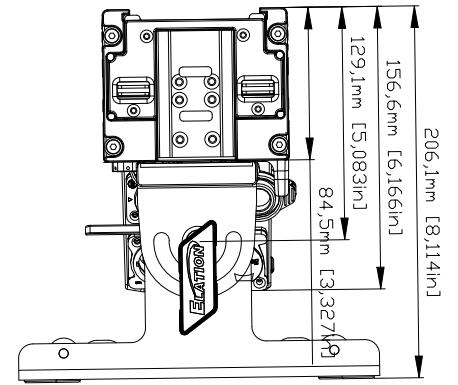
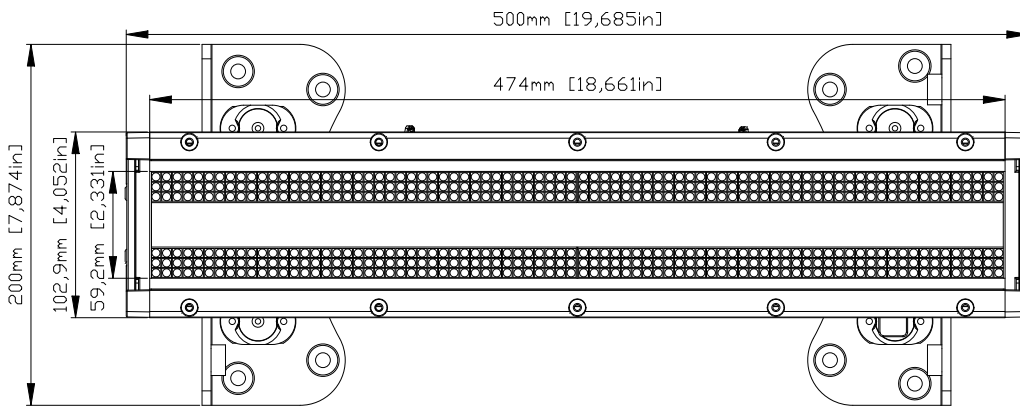
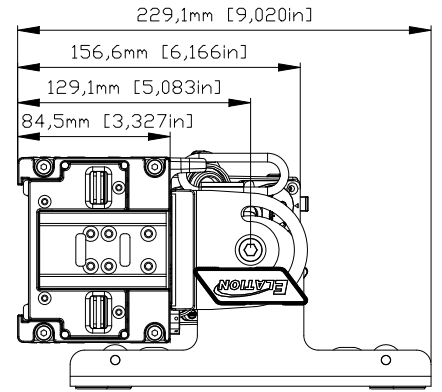
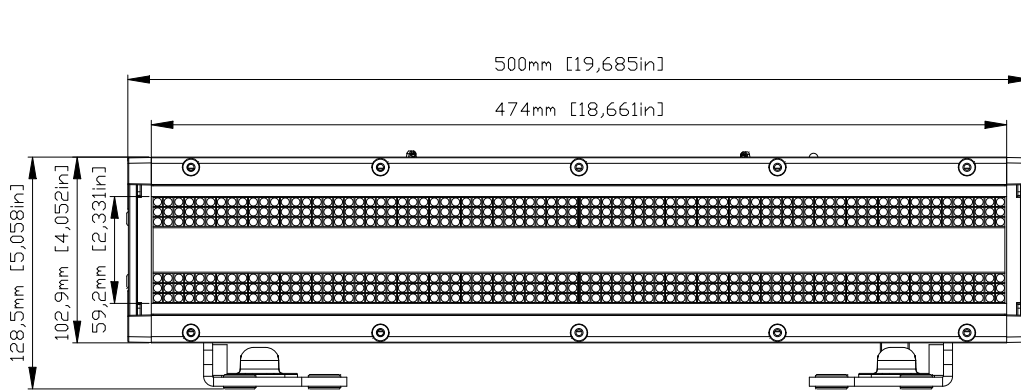
CE | cETLus(pend) | UL | IP65c | FCC | UKCA





IP65 Strobe Bar, 1/2 Meter

DIMENSIONAL DRAWING



ORDERING INFORMATION

PUL013	1237000345	PULSE BAR S
STR527	N/A	5 ft. (1.5m) IP65 5pin XLR Cable

